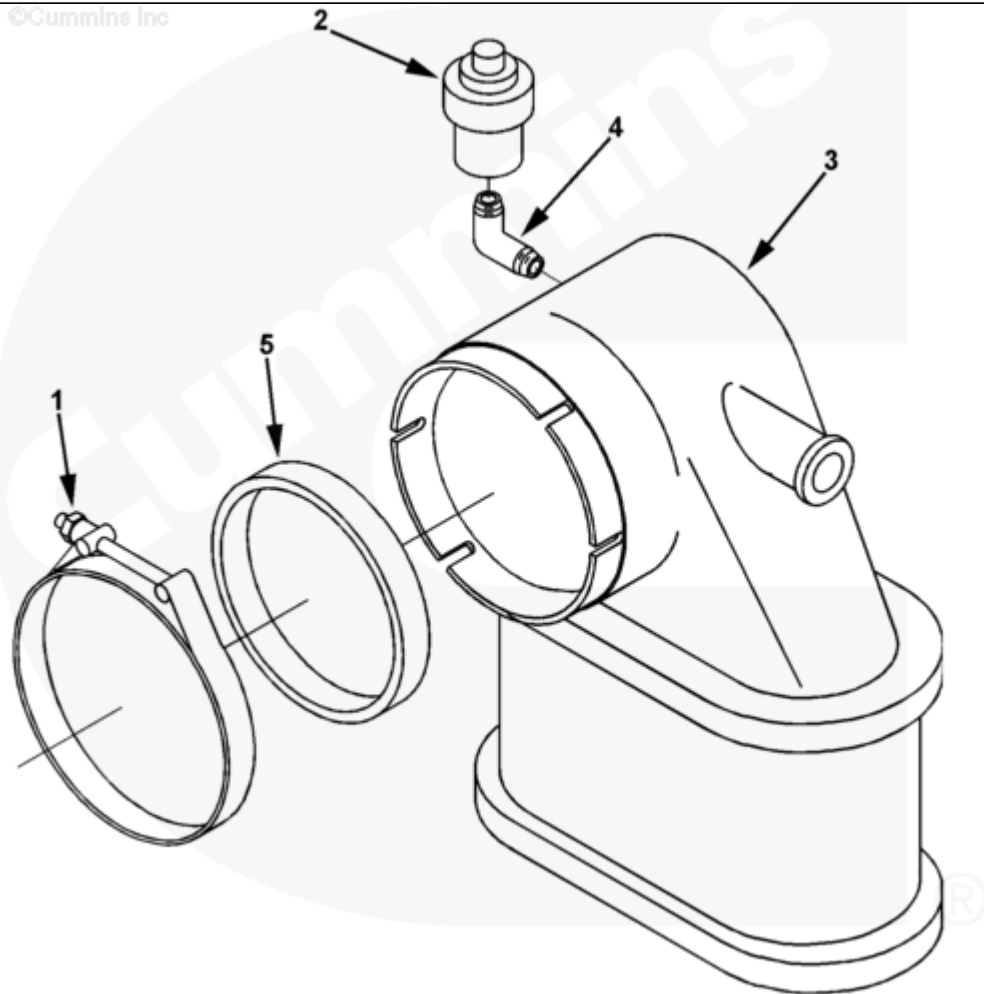




Parts Catalog - Option Detail

Electronic Parts Catalog - Option Detail				
Option	Group	Graphic	Film Card	Date
AC2033-03	10.04	ac201gm	II	06-APR-03
Engines	ISM CM570, ISM CM570/870, ISM CM875, ISM CM876, ISM CM876 E, ISM11 CM876 M103, ISM11 CM876 SN, M11 CELECT, M11 CELECT PLUS, M11 MECHANICAL, QSM11 CM570, QSM11 CM876			



ac201gm

SMALL | MEDIUM | LARGE

Cart	Ref No	Part Number	Part Description	Required	Remarks
View My Cart					
		AC2033-03	Air Cleaner		
					Air Cleaner
					Air Cleaner Supplier:
					Cummins

					Manuf/Model: Racor
					Must Use W/Closed Crankcase
					Breather System
					Duty Rating: Heavy
					Mtg Brkt Supply Method:
					Mounted
					Mtg Brkt Loc: Above Flywheel
					Housing
					Plumbing Supplier: Cummins
					Filter Disposition:
					Disposable
					Includes Conn Provision:
					Closed Crankcase Breather
					System, Restriction Indicator
<input type="checkbox"/>	1	3040878	T-Bolt Clamp	1	5 3/4 inch
		4070041	Air Cleaner	1	
<input type="checkbox"/>	2	C0140200800	Restriction Indicator	1	
<input type="checkbox"/>	3	4070042	Air Cleaner	1	
<input type="checkbox"/>	4	4070044	Male Adapter Elbow	1	1/8 NPTF x 1/8 NPTF (90 deg)
<input type="checkbox"/>	5	3959072	Dust Seal	1	
<input type="checkbox"/>		4089303	Air Cleaner Assembly Kit	1	
<input type="checkbox"/>		3959072	Dust Seal	1	
<input type="checkbox"/>		4070042	Air Cleaner	1	